



# HENEGHAN AND ASSOCIATES, P.C.

CIVIL ENGINEERS • LAND SURVEYORS

WWW.HAENGR.COM

Since 1986

---

## Addendum No. 2

### PROPOSED PUMP #3 IMPROVEMENTS

For Jersey County on behalf of the Nutwood Drainage and Levee District

H&A File No. 0261-300

January 11, 2018

The Contract Documents prepared by Heneghan & Associates, P.C. for the  
PROPOSED PUMP #3 IMPROVEMENTS

For Jersey County on behalf of the Nutwood Drainage and Levee District  
Dated December 6, 2017 are hereby amended or clarified as follows:

**BID OPENING REMINDER: The Bid Opening is January 19, 2018 at 10:00 A.M.**

### PROJECT SPECIFICATIONS

Changes/additions/clarifications to the Project Specifications are as listed below:

No Changes

### BID PACKET

Clarification – The lump sum cost for the 24” Access Hatch with bolt on lid item as shown on the bid form shall include both of the access hatches as shown on the revised plan sheet.

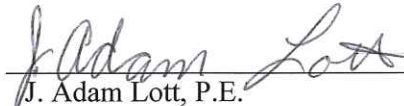
### PROJECT DRAWINGS

An additional Access Hatch has been added to the project. See revised drawing for the location of the additional access hatch.

### GENERAL

Attached are the current wage rates enforced for this project.

End of Addendum.

  
\_\_\_\_\_  
J. Adam Lott, P.E.  
Project Manager  
Heneghan & Associates, P.C.

General Decision Number: IL180017 01/05/2018 IL17

Superseded General Decision Number: IL20170017

State: Illinois

Construction Types: Heavy and Highway

Counties: Bond, Calhoun, Clinton, Greene, Jersey, Macoupin, Madison, Monroe, Montgomery, St Clair and Washington Counties in Illinois.

MACOUPIN (upper 1/2) & MONTGOMERY (upper 1/2, INCLUDING WAGGONER, STANDARD CITY, & NORTH THEREOF) COUNTIES:

HEAVY CONSTRUCTION PROJECTS (including Sewer & Water Line Construction & Drainage Projects) & HIGHWAY CONSTRUCTION PROJECTS (excluding tunnels, building structures in rest area projects, and railroad construction; bascule, suspension & spandrel arch bridges; bridges designed for commercial navigation; bridges involving marine construction, other major bridges).

Note: Under Executive Order (EO) 13658, an hourly minimum wage of \$10.35 for calendar year 2018 applies to all contracts subject to the Davis-Bacon Act for which the contract is awarded (and any solicitation was issued) on or after January 1, 2015. If this contract is covered by the EO, the contractor must pay all workers in any classification listed on this wage determination at least \$10.35 per hour (or the applicable wage rate listed on this wage determination, if it is higher) for all hours spent performing on the contract in calendar year 2018. The EO minimum wage rate will be adjusted annually. Please note that this EO applies to the above-mentioned types of contracts entered into by the federal government that are subject to the Davis-Bacon Act itself, but it does not apply to contracts subject only to the Davis-Bacon Related Acts, including those set forth at 29 CFR 5.1(a)(2)-(60). Additional information on contractor requirements and worker protections under the EO is available at www.dol.gov/whd/govcontracts.

Modification Number      Publication Date  
0                              01/05/2018

CARP0270-015 05/01/2017

	Rates	Fringes
CARPENTER.....	\$ 32.15	25.97
PILEDRIVERMAN.....	\$ 33.15	25.97

-----  
CARP0270-023 05/01/2017

GREENE COUNTY

	Rates	Fringes
CARPENTER.....	\$ 32.15	25.97
PILEDRIVERMAN.....	\$ 33.15	25.97

-----  
 CARP0500-001 05/07/2017

CLINTON, MONROE, and WASHINGTON COUNTIES

	Rates	Fringes
Carpenter & Piledrivermen.....	\$ 37.35	16.85

-----  
 CARP0500-003 05/07/2017

ST. CLAIR COUNTY

	Rates	Fringes
Carpenter and Piledriver.....	\$ 37.35	16.85

-----  
 CARP0664-003 05/07/2017

MADISON COUNTY

	Rates	Fringes
Carpenter and Piledriver.....	\$ 37.35	16.85

-----  
 CARP0664-006 05/07/2017

BOND, CALHOUN, and JERSEY COUNTIES

	Rates	Fringes
CARPENTER.....	\$ 37.35	16.85

-----  
 ELEC0146-012 06/01/2016

MONTGOMERY COUNTY (East of Butler Grove, Grisham, Hillsboro & Raymond Twps)

	Rates	Fringes
ELECTRICIAN.....	\$ 36.27	16.36

-----  
 ELEC0193-003 05/31/2017

MACOUPIN (Barr, Girard, Nilwood, North & South Otter, North & South Palmyra and Virden Twps), AND MONTGOMERY (Bois D' Arc, Harvel and Pitman Twps) COUNTIES

	Rates	Fringes
ELECTRICIAN.....	\$ 35.44	4.5%+\$16.25

-----  
 ELEC0193-011 04/05/2017

MACOUPIN (Townships of Scottville, North Palmyra, North Otter, Virden, Girard, Barr, South Palmyra, South Otter, and Nilwood) and MONTGOMERY (Townships of Bois D'Arc, Pitman, and Harvel) COUNTIES

	Rates	Fringes
Line Construction		
Groundman - Equipment Operator (Class I, all crawler type equipment larger than D-4, 15 ton crane or larger).....	\$ 45.05	29.5% + \$5.25
Groundman - Truck Driver (with winch, may operate diggers, 5th wheel type trucks, crawler-type equipment, D-4 and smaller, backhoe 3/4 yard and under, rubber tire and crawler w/end loader, and may drive bucket truck and live boom type line trucks).	\$ 34.34	29.5% + \$5.25
Groundman - Truck Driver (without winch).....	\$ 32.37	29.5% + \$5.25
Groundman (Class A).....	\$ 30.84	29.5% + \$5.25
Lineman & Substation Tech...	\$ 50.06	29.5% + \$5.25

-----  
 ELEC0309-002 12/04/2017

BOND (Westside), CLINTON, GREENE (ALL WORK PERFORMED ON THE ILLINOIS POWER COMPANY PROPERTY), JERSEY (ALL WORK PERFORMED ON THE ILLINOIS POWER COMPANY PROPERTY), MACOUPIN (EXCEPT North 1/3 & Southwest Corner), MADISON (EXCEPT East ALTON, ALTON, WOOD RIVER & HARTFORD), MONROE, MONTGOMERY (East of ROUNDTREE, IRVING & East FORK TWP.), RANDOLPH (PORTION OF RED BUD TOWNSHIP), ST. CLAIR, and WASHINGTON (OKAWVILLE & VENEDY TWPS.) COUNTIES

	Rates	Fringes
LINE CONSTRUCTION		
Cable Splicer; Lineman Welder.....	\$ 53.24	44.77%
Groundman Equipment Operator.....	\$ 44.09	44.77%
Groundman Truck Driver.....	\$ 35.99	44.77%
Groundman.....	\$ 32.91	44.77%
Lineman.....	\$ 50.70	44.77%

-----  
 ELEC0309-003 08/28/2017

BOND (Western Half), CLINTON (EXCLUDES HUEY, HOFFMAN, & VIC.), MACOUPIN (EXCLUDES BRIGHTON TWP., ATHENVILLE, SCOTTVILLE, GIRARD & AREA N. THEREOF), MADISON (EXCLUDES ALTON, E. ALTON, HARTFORD & WOOD RIVER), MONROE, MONTGOMERY (WEST OF BUTLER GROVE, GRISHAM, HILLSBOROUGH & RAYMOND TWPS), ST. CLAIR and WASHINGTON (VENEDY TWP) COUNTIES

	Rates	Fringes
ELECTRICIAN.....	\$ 39.79	50.35%

-----  
 \* ELEC0649-002 12/04/2017

CALHOUN, GREENE, JERSEY, MACOUPIN (SOUTHWEST CORNER), AND  
MADISON (E. ALTON, ALTON, WOOD RIVER & HARTFORD) COUNTIES

	Rates	Fringes
Line Construction		
BLASTER.....	\$ 50.86	29% + 7.75
EQUIPMENT OPERATOR.....	\$ 43.67	29% + 7.75
GROUNDMAN - TRUCK DRIVER W/WINCH.....	\$ 32.79	29% + 7.75
GROUNDMAN - TRUCK DRIVER WO/WINCH.....	\$ 29.03	29% + 7.75
GROUNDMAN.....	\$ 28.29	29% + 7.75
LINEMAN; AND LINEMAN HOLE BORING MACHINE OPERATOR.....	\$ 50.86	29% + 7.75

-----  
ELEC0649-008 01/02/2017

CALHOUN, GREEN, JERSEY, MACOUPIN (SOUTHWEST CORNER), AND  
MADISON (ALTON, E. ALTON, HARTFORD & WOOD RIVER) COUNTIES

	Rates	Fringes
ELECTRICIAN.....	\$ 41.15	21.60

-----  
ELEC0702-002 07/03/2017

ALEXANDER, CLAY, CRAWFORD, EDWARDS, EFFINGHAM, FRANKLIN,  
FAYETTE (Excludes portion North Avena), GALLATIN, HAMILTON,  
HARDIN, JACKSON, JASPER, JEFFERSON, JOHNSON, LAWRENCE, MARION,  
MASSAC, PERRY, POPE, PULASKI, RANDOLPH (Except Red Bud Twps),  
RICHLAND, SALINE, UNION, WABASH, WAYNE, WHITE, AND WILLIAMSON  
COUNTIES;  
CLARK, COLES (Southern Half), CUMBERLAND, MOULTRIE (Whitley  
TWP), and SHELBY (Except West of Holland, Prairie, Richland, &  
Windsor TWPS) COUNTIES;  
BOND (Eastern Half), and WASHINGTON (OKAWVILLE & VENDY TWPS)  
COUNTIES

	Rates	Fringes
Line Construction		
Groundman - Class A.....	\$ 30.36	29%+6.68
Groundman - Equipment Operator Class II (all other equipment).....	\$ 36.89	29%+6.68
Heavy - Equipment Operator Class I (all crawler type equipment D-4 and larger)...	\$ 41.33	29%+6.68
Lineman.....	\$ 51.84	29%+6.68

-----  
ELEC0702-017 06/01/2017

BOND (Eastern Half), CLINTON (Huey, Hoffman, & Vicinity), AND  
WASHINGTON (Except Venedy TWP) COUNTIES

	Rates	Fringes
--	-------	---------

ELECTRICIAN.....\$ 42.73 21.08

-----  
 ENGI0520-005 08/01/2017

	Rates	Fringes
POWER EQUIPMENT OPERATOR		
Group 01.....	\$ 36.20	31.35
Group 02.....	\$ 35.07	31.35
Group 03.....	\$ 30.59	31.35
Group 04.....	\$ 30.65	31.35
Group 05.....	\$ 30.32	31.35
Group 06.....	\$ 38.75	31.35
Group 07.....	\$ 39.05	31.35
Group 08.....	\$ 39.33	31.35
Group 09.....	\$ 37.20	31.35
Group 10.....	\$ 38.20	31.35
Group 11.....	\$ 38.20	31.35
Group 12.....	\$ 39.20	31.35

POWER EQUIPMENT OPERATOR CLASSIFICATIONS

GROUP 1: Cranes, Draglines, Shovels, Skimmer Scoops, Clamshells or Derrick Boats, Pile Drivers, Crane-Type Backhoes, Asphalt Plant Operators, Concrete Plant Operators, Dredges, Asphalt Spreading Machines, Screws on Asphalt Spreading Machines, All Locomotives, Cable Ways or Tower Machines, Hoists, Hydraulic Backhoes, Ditching Machines, or Backfiller, Cherrypickers, overhead Cranes, Roller, Steam or Gas, Concrete Pavers, Excavator Concrete Breakers, Concrete Pumps, Bulk Cement Plants, Cement Pumps, DerrickType Drills, Boat Operators, Motor Graders or Pushcats, Scoops or Toumapulls, Bulldozers, Endloaders or Fork Lifts, Power Blade or Elevating Graders, Winch Cats, Boom or Winch Trucks or Boom Tractors, Pipe Wrapping or Painting Machines, Asphalt Plant Engineer, Journeyman Lubricating Engineer, Drills (other than derrick type), Mud Jacks, or Well Drilling Machines, Boring Machines or Track Jacks, Mixers, Conveyors (two), Air Compressors (two) Water Pumps, regardless of size (two), Welding Machines (two), Siphons or Jets (two), Winch Head or Apparatuses (two), Light Plants (two), Waterblasters (two), all Tractors, regardless of size (straight tractor only), Fireman on Stationary Boilers, Automatic Elevators, Form Grading Machines, Finishing Machines, Power Sub-Grader or Ribbon Machines, Longitudinal Floats, Distributor Operators on Trucks, Winch Heads or Apparatuses (one), Mobil Track air and heaters (two to five), Heavy Equipment Greaser, Relief Operator, Assistant Master Mechanic and Heavy Duty Mechanic, concrete saws of all types and sizes with their attachments, gobhoppers, excavators all sizes, the repair, greasing, and fueling of all diesel hammers, the operation, set-up and cleaning ofbidwells, concrete placement booms, the alterations, repair of all barges, water blasters of all sizes and their clutches, mobile lifts, hydraulic jacks where used for hoisting, diesel or gas powered flashing sings used for traffic control, micro pavers, log skidders, iceolators used on and off of pipeline, condor cranes, drill rigs of all sizes, bow boats, survey boats, ross carriers, bob-cats and all their attachments, skid steer loaders and all their attachments, creter crane, direct drive electric motors the bolting and unbolting the

adjusting and shimming, (dewatering jobs, whirley crane, conveyor belts) etc., batch plants (all sizes), roto mills, conveyors systems of any size and any configuration, hydroseeders and strawblowers all sizes, operation, repair, service of all vibratory hammers, all power pacs and their controls regardless of location, curtains or brush burning machines, stump cutter machines, grout machines regardless of size, Nail launchers when mounted on a machine or self-propelled, con-cover machines, Goldhofer and similar S.P.M.T. (self-propelled modular transpmiers) heavy transport units and all Operators (except those listed below).

Group 2: Assistant Operators

GROUP 3: Air Compressor One; Water Pump regardless of size One; Welding Machine One; 1-Bag Mixer One; Conveyor One; Siphon or Jet; Light Plant One; Heater One; Immobile Track Air One

GROUP 4: Firemen on Whirlies and Asphalt Spreader Oiler; Heavy Equipment Oilers; Truck Cranes; Monigans; Large over 65 tons capacity; Concrete Plant Oiler and Black Top Plant Oiler

GROUP 5: Oilers

GROUP 6: Operators on equipment with Booms, including Jibs, 100 ft and over, but less than 150 ft

GROUP 7: Operators on equipment with Booms, including Jibs, 150 ft and over, but less than 200 ft

GROUP 8: Operators on equipment with Boomns, including Jibs, 200 ft and over; Tower Cranes, and Whirley Cranes

GROUP 9: Certified crane Operators, Below 17.5 tons, when requested by the Contractor or required by the Owner.

GROUP 10: Certified crane Operators 17.5 tons and above, when requested by the Contractor or required by the Owner.

GROUP 11: Master Mechanic

GROUP 12: Licensed Boat Pilot

-----  
ENGI0520-012 08/01/2017

INCLUDING BUILDING CONSTRUCTION ON HEAVY INDUSTRIAL SITES & HEAVY CONSTRUCTION EXCEPT DREDGING AND RIVER WORK

	Rates	Fringes
POWER EQUIPMENT OPERATOR		
Group 01.....	\$ 37.70	31.35
Group 02.....	\$ 36.57	31.35
Group 03.....	\$ 32.09	31.35
Group 04.....	\$ 32.15	31.35
Group 05.....	\$ 31.82	31.35
Group 06.....	\$ 40.25	31.35

Group 07.....	\$ 40.55	31.35
Group 08.....	\$ 40.83	31.35
Group 09.....	\$ 38.70	31.35
Group 10.....	\$ 39.70	31.35
Group 11.....	\$ 39.70	31.35
Group 12.....	\$ 40.70	31.35

POWER EQUIPMENT OPERATOR CLASSIFICATIONS

GROUP 1: Cranes, Draglines, Shovels, Skimmer Scoops, Clamshells or Derrick Boats, Pile Drivers, Crane-Type Backhoes, Asphalt Plant Operators, Concrete Plant Operators, Dredges, Asphalt Spreading Machines, Screws on Asphalt Spreading Machines, All Locomotives, Cable Ways or Tower Machines, Hoists, Hydraulic Backhoes, Ditching Machines, or Backfiller, Cherrypickers, overhead Cranes, Roller, Steam or Gas, Concrete Pavers, Excavator Concrete Breakers, Concrete Pumps, Bulk Cement Plants, Cement Pumps, Derrick-Type Drills, Boat Operators, Motor Graders or Pushcats, Scoops or Tournapulls, Bulldozers, Endloaders or Fork Lifts, Power Blade or Elevating Graders, Winch Cats, Boom or Winch Trucks or Boom Tractors, Pipe Wrapping or Painting Machines, Asphalt Plant Engineer, Journeyman Lubricating Engineer, Drills (other than derrick type), Mud Jacks, or Well Drilling Machines, Boring Machines or Track Jacks, Mixers, Conveyors (two), Air Compressors (two) Water Pumps, regardless of size (two), Welding Machines (two), Siphons or Jets (two), Winch Head or Apparatuses (two), Light Plants (two), Waterblasters (two), all Tractors, regardless of size (straight tractor only), Fireman on Stationary Boilers, Automatic Elevators, Form Grading Machines, Finishing Machines, Power Sub-Grader or Ribbon Machines, Longitudinal Floats, Distributor Operators on Trucks, Winch Heads or Apparatuses (one), Mobil Track air and heaters (two to five), Heavy Equipment Greaser, Relief Operator, Assistant Master Mechanic and Heavy Duty Mechanic, concrete saws of all types and sizes with their attachments, gob-hoppers, excavators all sizes, the repair, greasing, and fueling of all diesel hammers, the operation, set-up and cleaning of bidwells, concrete placement booms, the alterations, repair of all barges, water blasters of all sizes and their clutches, mobile lifts, hydraulic jacks where used for hoisting, diesel or gas powered flashing signs used for traffic control, micro pavers, log skidders, iceolators used on and off of pipeline, condor cranes, drill rigs of all sizes, bow boats, survey boats, ross carriers, bob-cats and all their attachments, skid steer loaders and all their attachments, creter crane, direct drive electric motors the bolting and unbolting the adjusting and shimming, (dewateringjobs, whirley crane, conveyor belts) etc., batch plants (all sizes), roto mills, conveyors systems of any size and any configuration, hydroseeders and straw-blowers all sizes, operation, repair, service of all vibratory hammers, all power pacs and their controls regardless of location, curtains or brush burning machines, stump cutter machines, grout machines regardless of size, Nail Launchers when mounted on a machine or self-propelled, con-cover machines, Goldhofer and similar S.P.M.T. (self-propelled modular transporters) heavy transport units and all Operators (except those listed below).



GROUP 2: Assistant Operators

GROUP 3: Air Compressors (one), Water Pumps, regardless of size (one), Water-blasters (one), Welding Machine (one), Mixers (one bag), Conveyor (one), Siphon or Jet (one), Light Plant (one), Heater (one), Immobile Track Air (one), and Self-Propelled Walk Behind Rollers.

GROUP 4: Fireman on Whirlies and Heavy Equipment Oilers, Truck Cranes, Dredges, Monigans, Large Cranes - (Over 65-ton rated capacity) Concrete Plant Oiler, Blacktop Plant oiler and Creter Crane Oiler (when required), barge tenders, oilers on drill rigs used for caisson or for pile driving.

GROUP 5: Oilers

GROUP 6: Operators on equipment with Booms, including Jibs, 100 ft and over, but less than 150 ft

GROUP 7: Operators on equipment with Booms, including Jibs, 150 ft and over, but less than 200 ft

GROUP 8: Operators on equipment with Boomns, including Jibs, 200 ft and over; Tower Cranes, and Whirley Cranes

GROUP 9: Certified crane Operators, Below 17.5 Tons, when requested by the Contractor or required by the Owner

GROUP 10: Celiified crane Operators 17.5 Tons and above, when requested by the Contractor or required by the Owner

GROUP 11: Master Mechanic

GROUP 12: Licensed Boat Pilot

-----  
IRON0046-006 05/01/2017  
  
GREENE (NORTHERN HALF), MACOUPIN (NORTH OF SUMMERVILLE), AND MONTGOMERY (NORTH OF LITCHFIELD & HILLSBORO) COUNTIES

	Rates	Fringes
IRONWORKER.....	\$ 32.52	25.45

-----  
IRON0392-003 08/01/2017  
  
BOND, CALHOUN, CLINTON, GREENE (SOUTHERN HALF), JERSEY, MACOUPIN (SUMMERVILLE & SOUTH THEREOF), MADISON, MONROE, MONTGOMERY (LITCHFIELD, HILLSBORO, & SOUTH THEREOF), ST. CLAIR, and WASHINGTON COUNTIES

	Rates	Fringes
IRONWORKER.....	\$ 32.25	26.38

-----  
IRON0396-006 01/02/2012  
  
BRIDGES, LOCKS, and DAMS ON THE MISSISSIPPI RIVER

	Rates	Fringes
IRONWORKER.....	\$ 31.98	19.11
-----		
LABO0044-001 08/01/2017		

MADISON COUNTY (Southwest)

	Rates	Fringes
LABORER		
Group 1.....	\$ 25.76	27.48
Group 2.....	\$ 26.26	27.48
Group 3.....	\$ 27.26	27.48

LABORER CLASSIFICATIONS:

GROUP 1 - General Laborer

    GROUP 2 - Asbestos Abatement Worker and Hazardous Waste Worker; Lead Base Paint Worker

GROUP 3 - Dynamite Man

-----		
LABO0044-002 08/01/2017		

MADISON COUNTY (GLEN CARBON)

	Rates	Fringes
LABORER		
GROUP 1.....	\$ 25.76	27.48
GROUP 2.....	\$ 26.26	27.48
GROUP 3.....	\$ 27.26	27.48

LABORERS CLASSIFICATIONS

GROUP 1 - General Laborers.

GROUP 2 - Brick Mason and Plasterer Tenders.

GROUP 3 - Dynamite and Powder Men.

-----		
LABO0100-001 08/01/2017		

ST CLAIR COUNTY (East St. Louis, Alcoa, Brooklyn, Cahokia, Caseyville, Centreville, Dupo, Fairmont City, French Village, Midway, Maplewood, National City)

	Rates	Fringes
LABORERS		
Group 1.....	\$ 30.79	22.45
Group 2.....	\$ 31.29	22.45
Group 3.....	\$ 32.29	22.45

LABORER CLASSIFICATIONS:

GROUP 1 - General Laborer

GROUP 2 - Asbestos Abatement Worker and Hazardous Waste Worker; Lead Base Paint Worker, Hod Carrier

GROUP 3 - Dynamite Man

-----  
LABO0196-001 08/01/2017

MONROE COUNTY

	Rates	Fringes
LABORERS		
Group 1.....	\$ 27.66	25.58
Group 2.....	\$ 28.16	25.58

LABORER CLASSIFICATIONS:

GROUP 1 - General Laborer

GROUP 2 - Asbestos Abatement Worker and Hazardous Waste Worker; Lead Base Paint Worker; Dynamite Man

-----  
LABO0218-001 08/01/2017

BOND (Greeneville), CALHOUN (Hardin), GREENE (Roadhouse), JERSEY (Jerseyville), and MADISON (Alton) COUNTIES

	Rates	Fringes
LABORERS		
Group 1.....	\$ 30.59	22.65
Group 2.....	\$ 31.09	22.65
Group 3.....	\$ 32.09	22.65

LABORER CLASSIFICATIONS:

GROUP 1 - General Laborer

GROUP 2 - Asbestos Abatement Worker and Hazardous Waste Worker; Lead Base Paint Worker

GROUP 3 - Dynamite Man

-----  
LABO0218-004 08/01/2017

JERSEY COUNTY (Jerseyville)

	Rates	Fringes
LABORER		
GROUP 1.....	\$ 30.59	22.65
GROUP 2.....	\$ 31.09	22.65
GROUP 3.....	\$ 32.09	22.65

LABORER CLASSIFICATIONS

- GROUP 1 - General Laborers.
- GROUP 2 - Brick Mason and Plasterer Tenders.
- GROUP 3 - Dynamite and Powder Men.

-----  
LABO0218-005 08/01/2017

GREENE COUNTY (Roadhouse)

	Rates	Fringes
LABORER		
GROUP 1.....	\$ 30.59	22.65
GROUP 2.....	\$ 31.09	22.65
GROUP 3.....	\$ 32.09	22.65

LABORER CLASSIFICATIONS

- GROUP 1 - General Laborers.
- GROUP 2 - Brick Mason and Plasterer Tenders.
- GROUP 3 - Dynamite and Powder Men.

-----  
LABO0218-006 08/01/2017

CALHOUN COUNTY (Hardin)

	Rates	Fringes
LABORER		
GROUP 1.....	\$ 30.59	22.65
GROUP 2.....	\$ 31.09	22.65
GROUP 3.....	\$ 32.09	22.65

LABORERS CLASSIFICATIONS

- GROUP 1 - General Laborers.
- GROUP 2 - Brick Mason and Plasterer Tenders.
- GROUP 3 - Dynamite and Powder Men.

-----  
LABO0338-002 08/01/2017

MADISON COUNTY (Wood River)

	Rates	Fringes
LABORERS		
Group 1.....	\$ 30.13	23.11
Group 2.....	\$ 30.63	23.11
Group 3.....	\$ 31.63	23.11

LABORER CLASSIFICATIONS:

- GROUP 1 - General Laborer

GROUP 2 - Asbestos Abatement Worker and Hazardous Waste Worker; Lead Base Paint Worker

GROUP 3 - Dynamite Man

-----  
LABO0397-001 08/01/2017

MADISON COUNTY (Southeast)

	Rates	Fringes
LABORERS		
Group 1.....	\$ 30.79	22.45
Group 2.....	\$ 31.29	22.45
Group 3.....	\$ 32.29	22.45

LABORER CLASSIFICATIONS:

GROUP 1 - General Laborer

GROUP 2 - Asbestos Abatement Worker and Hazardous Waste Worker; Lead Base Paint Worker

GROUP 3 - Dynamite Man

-----  
LABO0397-002 08/01/2017

MADISON COUNTY (GRANITE CITY and Vicinity)

	Rates	Fringes
LABORERS		
Group 1.....	\$ 30.79	22.45
Group 2.....	\$ 31.29	22.45
Group 3.....	\$ 32.29	22.45

LABORER CLASSIFICATIONS:

GROUP 1 - General Laborer

GROUP 2 - Asbestos Abatement Worker and Hazardous Waste Worker; Lead Base Paint Worker

GROUP 3 - Dynamite Man

-----  
LABO0397-003 08/01/2017

MADISON COUNTY (Edwardsville, Marine, and Livingston)

	Rates	Fringes
LABORER		
GROUP 1.....	\$ 30.79	22.45
GROUP 2.....	\$ 31.29	22.45
GROUP 3.....	\$ 32.29	22.45

LABOREER CLASSIFICATIONS

GROUP 1 - General Laborers.

GROUP 3 - Brick Mason and Plasterer Tenders.

GROUP 4 - Dynamite and Powder Men.

-----  
LABO0459-001 08/01/2017

ST. CLAIR COUNTY (South)

	Rates	Fringes
LABORERS		
Group 1.....	\$ 28.63	24.61
Group 2.....	\$ 29.13	24.61
Group 3.....	\$ 30.13	24.61

LABORER CLASSIFICATIONS:

GROUP 1 - General Laborer

GROUP 2 - Asbestos Abatement Worker and Hazardous Waste Worker; Lead Base Paint Worker

GROUP 3 - Dynamite Man

-----  
LABO0459-004 08/01/2017

ST. CLAIR COUNTY (Belleville)

	Rates	Fringes
Hod Carrier.....	\$ 29.13	24.61

-----  
LABO0581-002 08/01/2017

CLINTON COUNTY (Carlyle)

	Rates	Fringes
LABORERS		
Group 1.....	\$ 26.46	26.78
Group 2.....	\$ 26.96	26.78

LABORER CLASSIFICATIONS:

GROUP 1 - General Laborer

GROUP 2 - Asbestos Abatement Worker and Hazardous Waste Worker; Lead Base Paint Worker; Dynamite Man

-----  
LABO0622-002 08/01/2017

BOND COUNTY (Greenville)

	Rates	Fringes
LABORERS		
Group 1.....	\$ 26.50	26.74
Group 2.....	\$ 27.00	26.74

Group 3.....\$ 28.00 26.74

LABORER CLASSIFICATIONS:

GROUP 1 - General Laborer

GROUP 2 - Asbestos Abatement Worker and Hazardous Waste Worker; Lead Base Paint Worker

GROUP 3 - Dynamite Man

-----  
LABO0622-003 08/01/2017

BOND COUNTY (Except the Northside)

	Rates	Fringes
LABORERS		
GROUP 1.....	\$ 26.50	26.74
GROUP 2.....	\$ 27.00	26.74
GROUP 3.....	\$ 28.00	26.74

LABORER CLASSIFICATIONS

GROUP 1 - General Laborer

GROUP 2 - Asbestos Abatement Worker and Hazardous Waste Worker; Lead Base Paint Worker

GROUP 3 - Dynamite Man

-----  
LABO0670-001 08/01/2017

ST CLAIR (O'Fallon, Scott Air Force Base, Shiloh, Lebanon & Vicinity), CLINTON (Trenton & Vicinity), and MADISON (Troy) COUNTIES

	Rates	Fringes
LABORERS		
Group 1.....	\$ 28.05	25.19
Group 2.....	\$ 28.55	25.19
Group 3.....	\$ 29.55	25.19

LABORER CLASSIFICATIONS:

GROUP 1 - General Laborer

GROUP 2 - Asbestos Abatement Worker and Hazardous Waste Worker; Lead Base Paint Worker

Group 3 - Dynamite Man

-----  
LABO0670-004 08/01/2017

MADISON COUNTY (St. Jacob)

Rates Fringes

LABORER		
GROUP 1.....	\$ 28.05	25.19
GROUP 2.....	\$ 28.55	25.19
GROUP 3.....	\$ 29.55	25.19

LABORER CLASSIFICATIONS

- GROUP 1 - General Laborers.
- GROUP 2 - Brick Mason and Plasterer Tenders.
- GROUP 3 - Dynamite and Powder Men.

-----  
LABO0674-001 08/01/2002

MADISON COUNTY (St. Jacob)

	Rates	Fringes
LABORER		
GROUP 1.....	\$ 29.45	1.60
GROUP 2.....	\$ 29.70	1.60
GROUP 3.....	\$ 29.95	1.60
GROUP 4.....	\$ 29.45	1.60

LABORER CLASSIFICATIONS

- GROUP 1 - General Laborers.
- GROUP 2 - Work in Septic tanks, cess pools, or dry wells (old or new); All feeders, mixers and nozzle men on gunnite or sandblasting work; When handling creosoted material; Raking or luting asphalt; Burning or cutting with torch; Working on Bottom of Sewer Trenches on Final Grading, Laying or Caulking of performed sectional Sewer Pipe; High time (20 feet or over) where exposed to an open fall; Operator of motor buggies; Any work performed in or on all types of cased wells; Cooking, mixing and applying of mastic such as sulfa-seal and/or other coal derivatives
- GROUP 3 - Brick Mason and Plasterer Tenders.
- GROUP 4 - Dynamite and Powder Men.

-----  
LABO0742-001 08/01/2017

ST. CLAIR (Mascoutah) and CLINTON (New Baden) COUNTIES

	Rates	Fringes
LABORERS		
Group 1.....	\$ 26.37	26.87
Group 2.....	\$ 26.87	26.87
Group 3.....	\$ 27.87	26.87

LABORER CLASSIFICATIONS:

- GROUP 1 - General Laborer



GROUP 2 - Asbestos Abatement Worker and Hazardous Waste Worker; Lead Base Paint Worker

GROUP 3 - Dynamite Man

LABO0968-001 08/01/1997

CALHOUN COUNTY (Hardin)

	Rates	Fringes
LABORER		
GROUP 1.....	\$ 25.80	.60
GROUP 2.....	\$ 26.05	.60
GROUP 3.....	\$ 26.30	.60
GROUP 4.....	\$ 27.325	.60

LABORERS CLASSIFICATIONS

GROUP 1 - General Laborers.

GROUP 2 - Work in Septic tanks, cess pools, or dry wells (old or new); All feeders, mixers and nozzle men on gunnite or sandblasting work; When handling creosoted material; Ranking or luting asphalt; Burning or cutting with torch; Working on Bottom of Sewer Trenches on Final Grading, Laying or Caulking or performed sectional Sewer Pipe; High time (20 feet or over) where exposed to an open fall; Operator of motor buggies; Any work performed in or on all types of cased wells; Cooking, mixing and applying of mastic such as sulfa-seal and/or other coal derivatives

GROUP 3 - Brick Mason and Plasterer Tenders.

GROUP 4 - Dynamite and Powder Men.

LABO1084-001 08/01/2017

BOND (Sorento) and MONTGOMERY COUNTIES

	Rates	Fringes
LABORERS		
Group 1.....	\$ 25.74	27.50
Group 2.....	\$ 26.24	27.50
Group 3.....	\$ 27.24	27.50

LABORER CLASSIFICATIONS:

GROUP 1 - General Laborer

GROUP 2 - Asbestos Abatement Worker and Hazardous Waste Worker; Lead Base Paint Worker

GROUP 3 - Dynamite Man

PAIN0058-002 05/01/2017

Rates	Fringes
-------	---------

PAINTER (Bridge).....\$ 32.45 17.12

Epoxy or Toxic-Lead-Based Paint Work-\$1.00 Premium

-----  
PLAS0090-001 08/01/2017

BOND, CALHOUN, CLINTON (WESTERN HALF EAST TO BUT NOT INCLUDE CARYLE), GREENE, JERSEY, MACOUPIN, MADISON, MONROE, MONTGOMERY, and ST. CLAIR COUNTIES

Rates Fringes

CEMENT MASON/CONCRETE FINISHER...\$ 33.90 24.25

-----  
PLAS0090-005 08/01/2017

Clinton County

Rates Fringes

CEMENT MASON/CONCRETE FINISHER...\$ 33.90 24.25

-----  
PLAS0143-007 08/01/2015

WASHINGTON COUNTY

Rates Fringes

CEMENT MASON/CONCRETE FINISHER...\$ 35.50 19.70

-----  
TEAM0050-006 05/01/2017

BOND. CLINTON, MONROE, ST CLAIR, WASHINGTON COUNTIES

Rates Fringes

TRUCK DRIVER

Group 1.....\$ 36.26 18.51  
Group 2.....\$ 36.77 18.51  
Group 3.....\$ 37.05 18.51  
Group 4.....\$ 37.36 18.51  
Group 5.....\$ 38.35 18.51

CLASSIFICATIONS:

GROUP 1: Drivers on 2 axles hauling less than 9 tons; air compressor & welding machines and brooms, including those pulled by separate units; Truck Driver Helper, warehouse employees; Mechanic Helpers; greasers and tiremen; pick-up trucks when hauling material, tools, or workers to and from and on the job site; and forklifts up to 6,000 lb capacity.

GROUP 2: 2 or 3 axles hauling more than 9 tons but hauling less than 16 tons; A-frame winch trucks; hydrolift trucks; Vector Trucks or similar equipment when used for transportation purposes; Forklift over 6,000 lb.capacity; winch trucks; and four axle combination units.

GROUP 3: 2, 3 or 4 Axles hauling 16 tons or more; 5-Axles or more combination units; drivers on water pulls; articulated

dump trucks; mechanics and working forepersons.

GROUP 4: Low Boy and Oil Distributors.

GROUP 5: Drivers who require special protective clothing while employed on hazardous waste work.

-----  
TEAM0525-004 05/01/2017

CALHOUN, GREENE (South of a direct line that extends East from Pike County through Hillview/Whitehall to Macoupin County), JERSEY, MACOUPIN, MADISON, MONTGOMERY COUNTIES

	Rates	Fringes
TRUCK DRIVER		
Group 1.....	\$ 36.26	18.51
Group 2.....	\$ 36.77	18.51
Group 3.....	\$ 37.05	18.51
Group 4.....	\$ 37.36	18.51
Group 5.....	\$ 38.35	18.51

CLASSIFICATIONS:

GROUP 1: Drivers on 2 axles hauling less than 9 tons; air compressor & welding machines and brooms, including those pulled by separate units; Truck Driver Helper, warehouse employees; Mechanic Helpers; greasers and tiremen; pick-up trucks when hauling material, tools, or workers to and from and on the job site; and forklifts up to 6,000 lb capacity.

GROUP 2: 2 or 3 axles hauling more than 9 tons but hauling less than 16 tons; A-frame winch trucks; hydrolift trucks; Vactor Trucks or similar equipment when used for transportation purposes; Forklift over 6,000 lb.capacity; winch trucks; and four axle combination units.

GROUP 3: 2, 3 or 4 Axles hauling 16 tons or more; 5-Axles or more combination units; drivers on water pulls; articulated dump trucks; mechanics and working forepersons.

GROUP 4: Low Boy and Oil Distributors.

GROUP 5: Drivers who require special protective clothing while employed on hazardous waste work.

-----  
TEAM0916-004 05/01/2017

GREENE (North of a direct line that extends East from Pike County through Hillview/Whitehall to Macoupin County) COUNTY

	Rates	Fringes
TRUCK DRIVER		
Group 1.....	\$ 36.26	18.51
Group 2.....	\$ 36.77	18.51
Group 3.....	\$ 37.05	18.51
Group 4.....	\$ 37.36	18.51

Group 5.....\$ 38.35 18.51

CLASSIFICATIONS:

GROUP 1: Drivers on 2 axles hauling less than 9 tons; air compressor & welding machines and brooms, including those pulled by separate units; Truck Driver Helper, warehouse employees; Mechanic Helpers; greasers and tiremen; pick-up trucks when hauling material, tools, or workers to and from and on the job site; and forklifts up to 6,000 lb capacity.

GROUP 2: 2 or 3 axles hauling more than 9 tons but hauling less than 16 tons; A-frame winch trucks; hydrolift trucks; Vactor Trucks or similar equipment when used for transportation purposes; Forklift over 6,000 lb.capacity; winch trucks; and four axle combination units.

GROUP 3: 2, 3 or 4 Axles hauling 16 tons or more; 5-Axles or more combination units; drivers on water pulls; articulated dump trucks; mechanics and working forepersons.

GROUP 4: Low Boy and Oil Distributors.

GROUP 5: Drivers who require special protective clothing while employed on hazardous waste work.

-----  
WELDERS - Receive rate prescribed for craft performing operation to which welding is incidental.  
=====

Note: Executive Order (EO) 13706, Establishing Paid Sick Leave for Federal Contractors applies to all contracts subject to the Davis-Bacon Act for which the contract is awarded (and any solicitation was issued) on or after January 1, 2017. If this contract is covered by the EO, the contractor must provide employees with 1 hour of paid sick leave for every 30 hours they work, up to 56 hours of paid sick leave each year. Employees must be permitted to use paid sick leave for their own illness, injury or other health-related needs, including preventive care; to assist a family member (or person who is like family to the employee) who is ill, injured, or has other health-related needs, including preventive care; or for reasons resulting from, or to assist a family member (or person who is like family to the employee) who is a victim of, domestic violence, sexual assault, or stalking. Additional information on contractor requirements and worker protections under the EO is available at [www.dol.gov/whd/govcontracts](http://www.dol.gov/whd/govcontracts).

Unlisted classifications needed for work not included within the scope of the classifications listed may be added after award only as provided in the labor standards contract clauses (29CFR 5.5 (a) (1) (ii)).

-----  
The body of each wage determination lists the classification and wage rates that have been found to be prevailing for the

cited type(s) of construction in the area covered by the wage determination. The classifications are listed in alphabetical order of "identifiers" that indicate whether the particular rate is a union rate (current union negotiated rate for local), a survey rate (weighted average rate) or a union average rate (weighted union average rate).

#### Union Rate Identifiers

A four letter classification abbreviation identifier enclosed in dotted lines beginning with characters other than "SU" or "UAVG" denotes that the union classification and rate were prevailing for that classification in the survey. Example: PLUM0198-005 07/01/2014. PLUM is an abbreviation identifier of the union which prevailed in the survey for this classification, which in this example would be Plumbers. 0198 indicates the local union number or district council number where applicable, i.e., Plumbers Local 0198. The next number, 005 in the example, is an internal number used in processing the wage determination. 07/01/2014 is the effective date of the most current negotiated rate, which in this example is July 1, 2014.

Union prevailing wage rates are updated to reflect all rate changes in the collective bargaining agreement (CBA) governing this classification and rate.

#### Survey Rate Identifiers

Classifications listed under the "SU" identifier indicate that no one rate prevailed for this classification in the survey and the published rate is derived by computing a weighted average rate based on all the rates reported in the survey for that classification. As this weighted average rate includes all rates reported in the survey, it may include both union and non-union rates. Example: SULA2012-007 5/13/2014. SU indicates the rates are survey rates based on a weighted average calculation of rates and are not majority rates. LA indicates the State of Louisiana. 2012 is the year of survey on which these classifications and rates are based. The next number, 007 in the example, is an internal number used in producing the wage determination. 5/13/2014 indicates the survey completion date for the classifications and rates under that identifier.

Survey wage rates are not updated and remain in effect until a new survey is conducted.

#### Union Average Rate Identifiers

Classification(s) listed under the UAVG identifier indicate that no single majority rate prevailed for those classifications; however, 100% of the data reported for the classifications was union data. EXAMPLE: UAVG-OH-0010 08/29/2014. UAVG indicates that the rate is a weighted union average rate. OH indicates the state. The next number, 0010 in the example, is an internal number used in producing the wage determination. 08/29/2014 indicates the survey completion date for the classifications and rates under that identifier.

A UAVG rate will be updated once a year, usually in January of each year, to reflect a weighted average of the current negotiated/CBA rate of the union locals from which the rate is

based.

-----  
WAGE DETERMINATION APPEALS PROCESS

1.) Has there been an initial decision in the matter? This can be:

- \* an existing published wage determination
- \* a survey underlying a wage determination
- \* a Wage and Hour Division letter setting forth a position on a wage determination matter
- \* a conformance (additional classification and rate) ruling

On survey related matters, initial contact, including requests for summaries of surveys, should be with the Wage and Hour Regional Office for the area in which the survey was conducted because those Regional Offices have responsibility for the Davis-Bacon survey program. If the response from this initial contact is not satisfactory, then the process described in 2.) and 3.) should be followed.

With regard to any other matter not yet ripe for the formal process described here, initial contact should be with the Branch of Construction Wage Determinations. Write to:

Branch of Construction Wage Determinations  
Wage and Hour Division  
U.S. Department of Labor  
200 Constitution Avenue, N.W.  
Washington, DC 20210

2.) If the answer to the question in 1.) is yes, then an interested party (those affected by the action) can request review and reconsideration from the Wage and Hour Administrator (See 29 CFR Part 1.8 and 29 CFR Part 7). Write to:

Wage and Hour Administrator  
U.S. Department of Labor  
200 Constitution Avenue, N.W.  
Washington, DC 20210

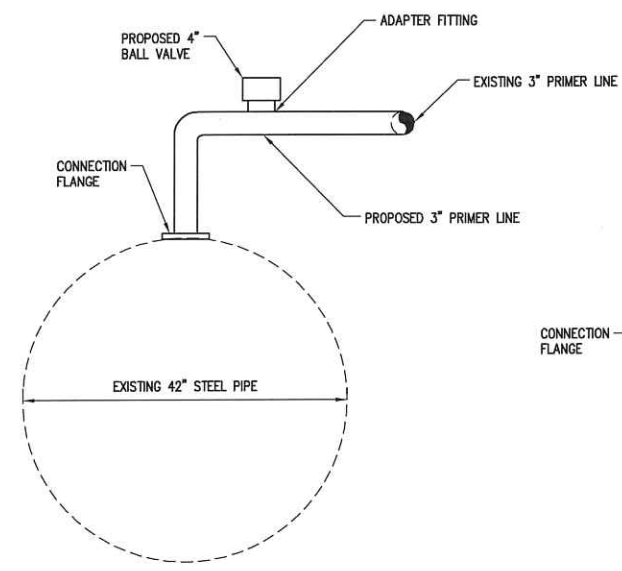
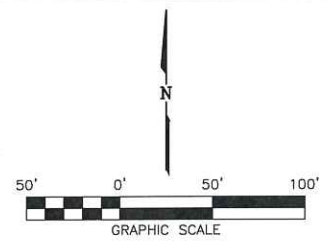
The request should be accompanied by a full statement of the interested party's position and by any information (wage payment data, project description, area practice material, etc.) that the requestor considers relevant to the issue.

3.) If the decision of the Administrator is not favorable, an interested party may appeal directly to the Administrative Review Board (formerly the Wage Appeals Board). Write to:

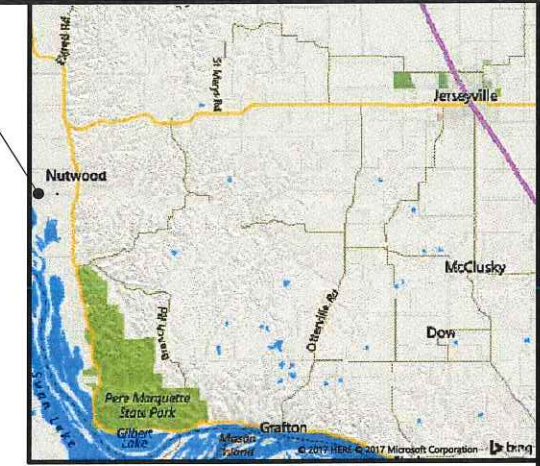
Administrative Review Board  
U.S. Department of Labor  
200 Constitution Avenue, N.W.  
Washington, DC 20210

4.) All decisions by the Administrative Review Board are final.  
=====

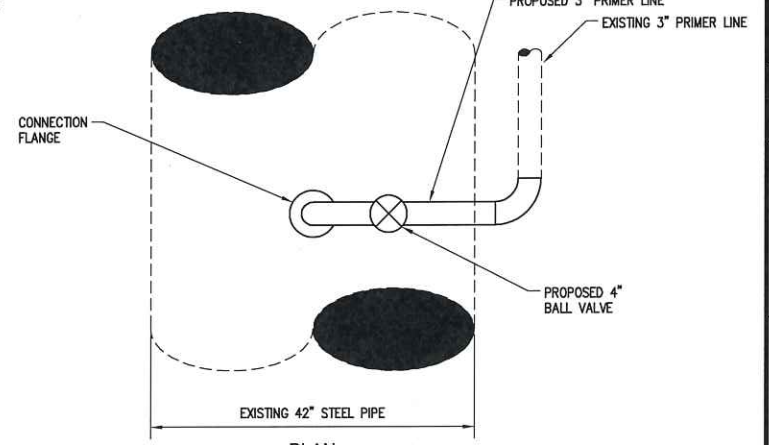
END OF GENERAL DECISION



SECTION



LOCATION MAP

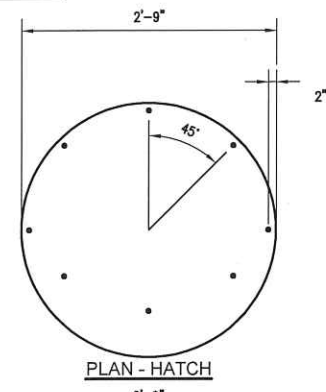


PLAN

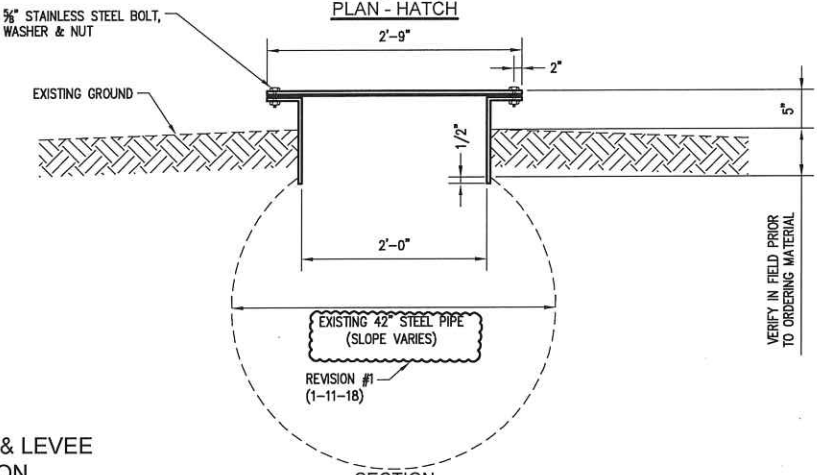
PRIMER LINE DETAILS

SCALE: NONE

NOTE:  
LOCATE NEW ACCESS HATCH  
AS DIRECTED BY THE OWNER.

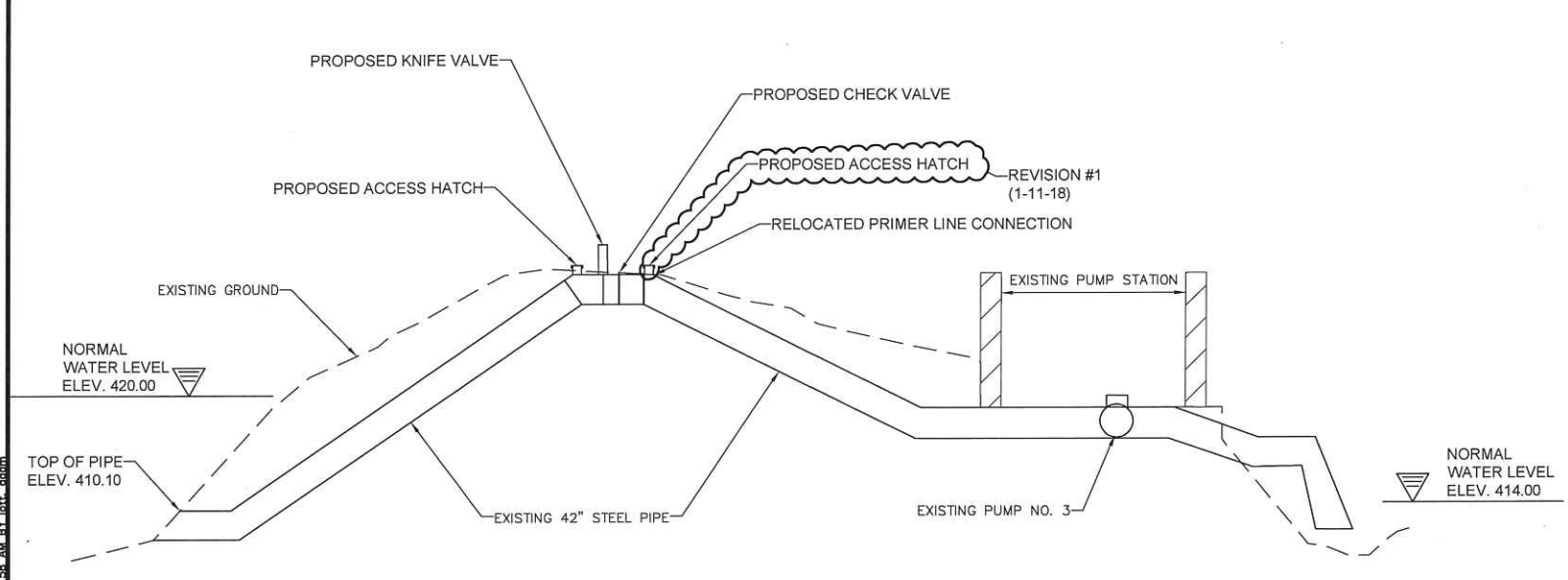


PLAN - HATCH



SECTION  
ACCESS HATCH DETAIL

SCALE: NONE



PIPE SECTION DETAIL

SCALE: NONE

NUTWOOD DRAINAGE & LEVEE  
DISTRICT PUMP STATION  
11996 EAGLETON PARK RD.  
FIELDON, IL 52031

**HENEGHAN & ASSOCIATES, P.C.**  
**HA**  
ENGINEERS-SURVEYORS  
www.haenr.com

DESIGN FIRM NUMBERS:  
IL 184-002892, EXPIRES APRIL 30, 2019  
MO: 001310, EXPIRES DECEMBER 31, 2019

- 1004 STATE HWY. 16  
JERSEYVILLE, IL 62052  
P: (618) 498-6418  
F: (618) 498-6410
- 838 EAST McCORD STREET  
CENTRALIA, IL 62801  
P: (618) 533-6525  
F: (618) 533-6652
- 310A VISION DRIVE  
COLUMBIA, IL 62236  
P: (618) 281-8133  
F: (618) 281-8290
- 5213 MAE DRIVE, SUITE D  
GODFREY, IL 62035  
P: (618) 466-8076  
F: (618) 466-8078
- 1929 RICHARDSON ROAD  
ARNOLD, MO 63010  
P: (636) 464-3610  
F: (636) 464-2059

PLAN SHEET & DETAILS  
NUTWOOD DRAINAGE AND LEVEE  
DISTRICT  
PROPOSED PUMP NO. 3 IMPROVEMENTS  
NUTWOOD LEVEE DISTRICT  
JERSEY COUNTY, ILLINOIS

DRAWN BY: RDS  
CHECKED BY: JAL  
APPROVED BY: JAL

HORIZONTAL SCALE:  
1"=50'

VERTICAL SCALE:  
N/A

PROJECT NO.  
00261-300

DATE:  
1/11/18

SHEET NO.  
1

1 OF 1 SHEETS

PATH: \\hared\clients\00261 - nutwood levee district\300 - pump improvements 2017\cadd\pump\civil\261-300\plan sheet.dwg  
 PLOTTER: 1/11/2018 @ 10:57:58 AM BY: jrt\_010