

CALHOUN COUNTY RURAL WATER DISTRICT WATER TREATMENT PLANT REPLACEMENT POTABLE WATER TANK

CALHOUN COUNTY, ILLINOIS

BOARD CHAIRMAN
GARY ROSE

BOARD MEMBERS
GENE STUMPF - VICE PRESIDENT
NEIL GOCHENOUR
PHILLIP GODAR
GARY ROUNDABOUT
NEAL FRIEDEL
ADAM HERTER

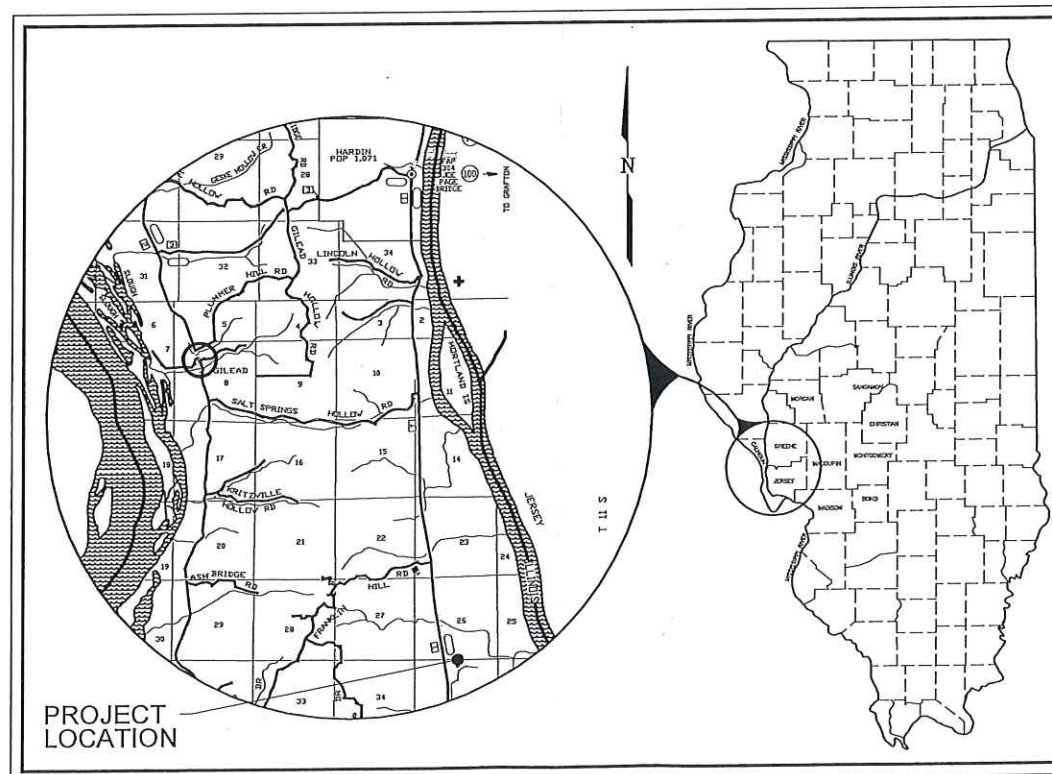
JUSTINE SCHULTE - SECRETARY/TREASURER
KILLION CONSTRUCTION - DWIGHT MOORE - PLANT OPERATOR

FACILITY NUMBER: IL0130010
IEPA PERMIT NUMBER: _____

DATE: March 13, 2018

INDEX OF SHEETS

- 1 COVER SHEET
- 2 SITE PLAN
- 3 POTABLE WATER TANK DETAIL



LOCATION MAP



Contractor to contact J.U.L.I.E. prior to any excavation or demolition for the location of any pipes, cables, lines, mains, etc. The contractor shall also coordinate any disconnection required with the various utility companies and/or governmental agencies serving the site.

Underground facilities, structures and utilities have been plotted from available surveys and records. Their locations must be considered to be approximate only. It is possible there may be others, the existence of which is not presently known or shown. It is the contractor's responsibility to determine their existence and exact location and to avoid damage thereto.

DIG LOG# _____



Ronald M. Paul
RONALD M. PAUL
REG. ILLINOIS P.E. #56307
EXP. NOVEMBER 30, 2019



HENEGHAN AND ASSOCIATES, P.C.
ENGINEERS-SURVEYORS
www.haenr.com

DESIGN FIRM NUMBER 184-002692, EXPIRES APRIL 30, 2019

1004 STATE HWY. 16
JERSEYVILLE, ILLINOIS 62052
PHONE NO. (618) 498-6418
FAX NO. (618) 498-6410

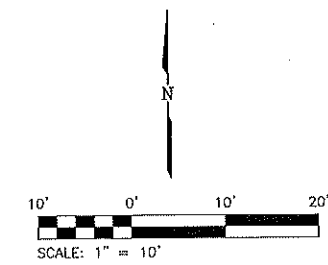
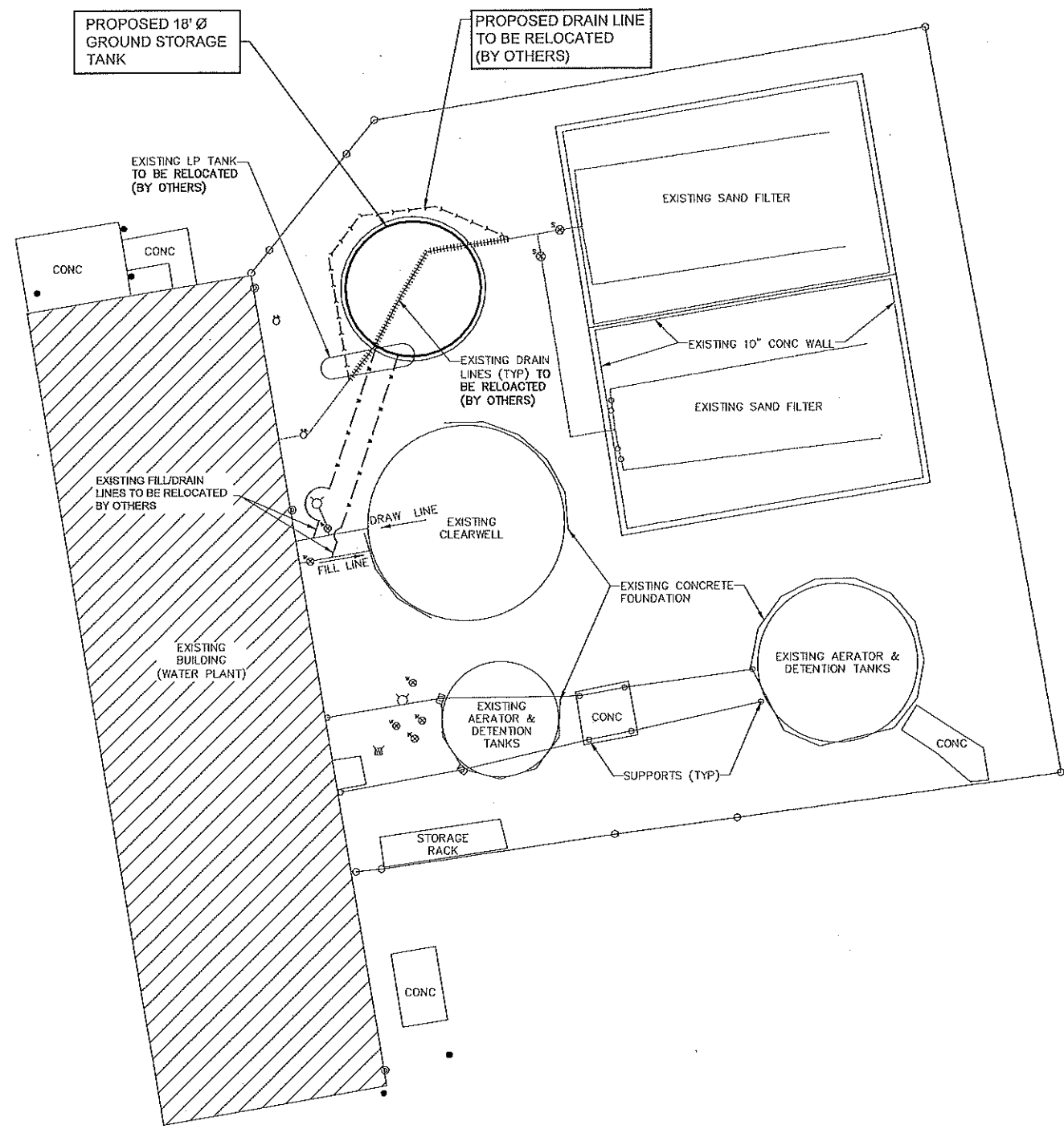
838 EAST McCORD STREET
CENTRALIA, ILLINOIS 62801
PHONE NO. (618) 533-6525
FAX NO. (618) 533-6652

310A VISION DRIVE
COLUMBIA, ILLINOIS 62236
PHONE NO. (618) 281-8133
FAX NO. (618) 281-8290

5213 MAE DRIVE, SUITE D
GODFREY, ILLINOIS 62035
PHONE NO. (618) 466-8076
FAX NO. (618) 466-8078

1929 RICHARDSON ROAD
ARNOLD, MISSOURI 63010
PHONE NO. (636) 464-3610
FAX NO. (636) 464-2059

PATH: \\hazred\valmish\0325 - calhoun county rep\421 - clearwell replacement\csw\dwg\repl\water\veh1_2.sht.plt.dwg
 PLOTTED: 3/13/2018 9:46:30 PM BY: chillsa_sccc



SITE PLAN DETAIL
 SCALE: 1"=10'

DESIGN FIRM NUMBER:
 IL: 194-002892, EXPIRES APRIL 30, 2019
 MO.: 001310, EXPIRES DECEMBER 31, 2019

1004 STATE HWY. 16
 JERSEYVILLE, IL 62052
 P: (618) 498-6418
 F: (618) 498-6410

838 EAST McCORD STREET
 CENTRALIA, IL 62801
 P: (618) 533-6525
 F: (618) 533-6652

310A VISION DRIVE
 COLUMBIA, IL 62236
 P: (618) 281-8133
 F: (618) 281-8290

5213 MAE DRIVE, SUITE D
 GODFREY, IL 62035
 P: (618) 466-8076
 F: (618) 466-8078

1929 RICHARDSON ROAD
 ARNOLD, MO 63010
 P: (636) 464-3610
 F: (636) 464-2059

SITE PLAN
CALHOUN COUNTY RURAL WATER DISTRICT
WATER TREATMENT PLANT
REPLACEMENT POTABLE WATER TANK
 VILLAGE OF HARDIN
 CALHOUN COUNTY, ILLINOIS

DRAWN BY: GRP
 CHECKED BY: LLB
 APPROVED BY: RMP

HORIZONTAL SCALE:
 1"=10'

VERTICAL SCALE:
 N/A

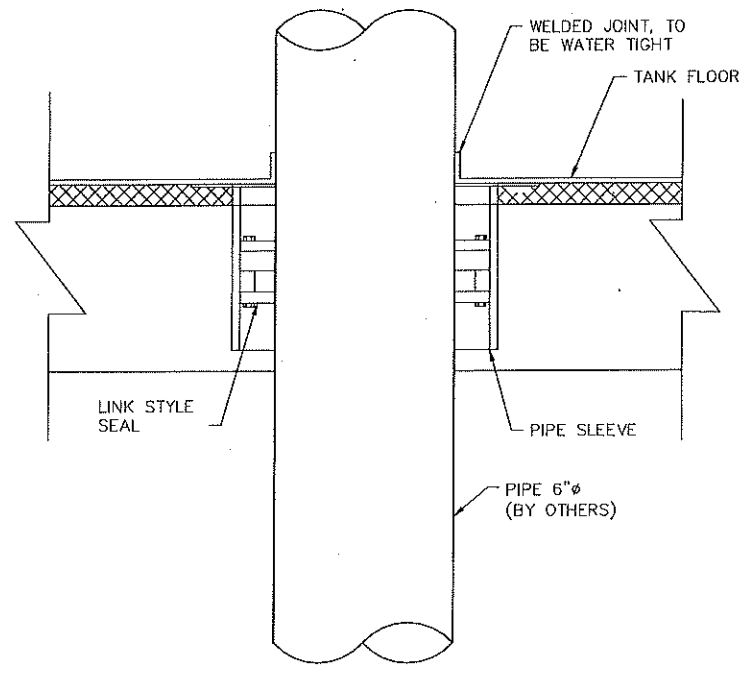
PROJECT NO.
 00325-421

DATE:
 3/13/18

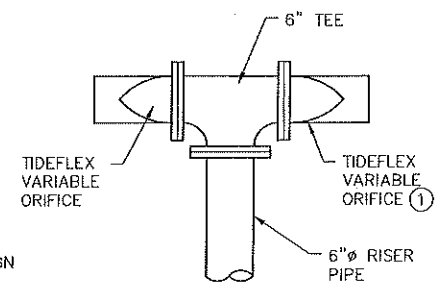
SHEET NO.
 2

POTABLE WATER TANK DETAIL
CALHOUN COUNTY RURAL WATER DISTRICT
WATER TREATMENT PLANT
REPLACEMENT POTABLE WATER TANK
VILLAGE OF HARDIN
CALHOUN COUNTY, ILLINOIS

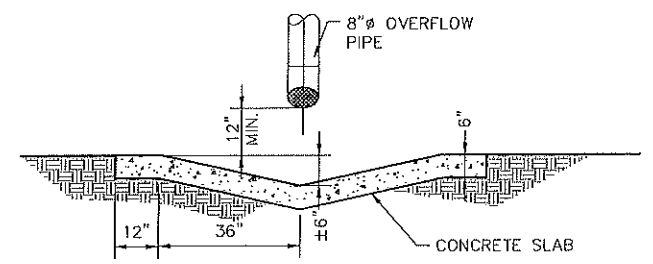
DRAWN BY: GRP
CHECKED BY: LLB
APPROVED BY: RMP
HORIZONTAL SCALE:
NOT TO SCALE
VERTICAL SCALE:
NOT TO SCALE
PROJECT NO.
00325-421
DATE:
3/13/18
SHEET NO.
3
3 OF 3 SHEETS



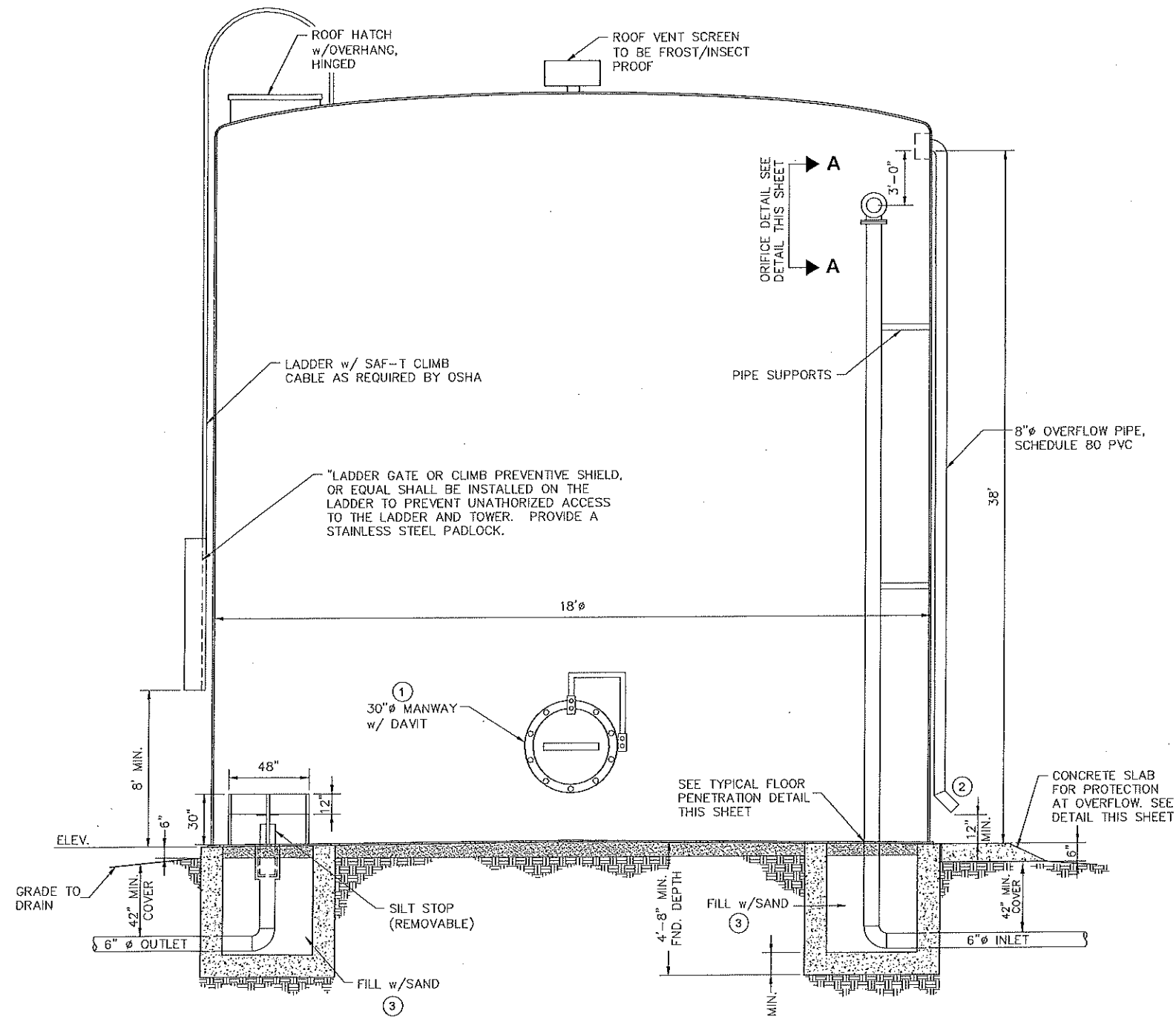
TYPICAL FLOOR PENETRATION DETAIL
SCALE: NONE



SECTION A-A ORIFICE DETAIL
SCALE: NONE



OVERFLOW PIPE DETAIL
SCALE: NONE



SECTION 72,000 GAL. GROUND STORAGE TANK
SCALE: NONE

- GENERAL NOTES:
- TANK SHALL BE CONSTRUCTED WITH AT LEAST ONE (1) 30" DIA. MANWAY.
 - PIPE SCREEN, #24 MESH, STAINLESS STEEL AT THE END OF THE OVERFLOW PIPE.
 - INLET/OUTLET LINES MAY BE INSTALLED IN THE SAME PIT, IF SITE CONDITIONS ALLOW. CONTRACTOR TO ADVISE PRIOR TO CONSTRUCTION AS PART OF SUBMITTAL REVIEW PROCESS.

NOTE:
1 FINAL MIXING SYSTEM DESIGN AND SUPPORTING CALCULATIONS TO BE COMPLETED BY RED VALVE COMPANY.

P:\11\res\shered\clients\00325 - calhoun county rural water\421 - clearwell replacement\cadd\dwg\water\sector\whr_3_tank_detail.dwg
PLOTTED: 3/13/2018 9:40:58 AM BY: CHILLIS, CRY